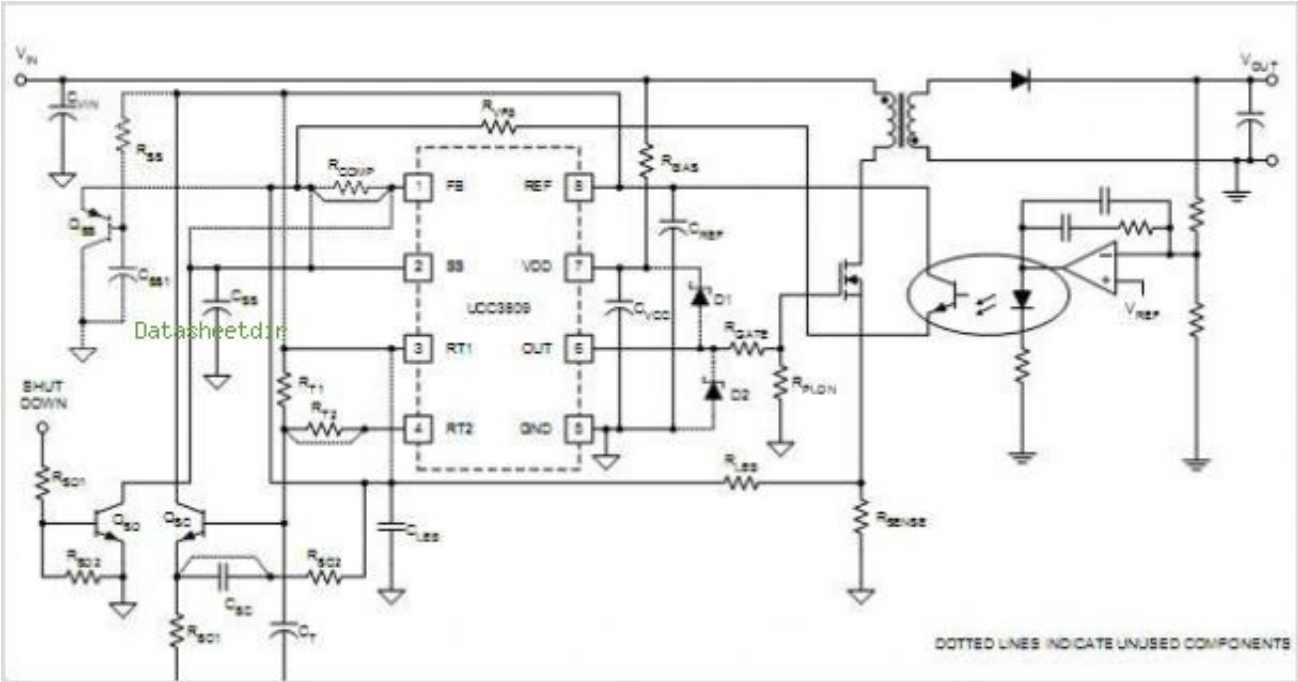




[Download Buck Converter Using 3842](#)



[Download Buck Converter Using 3842](#)



Citing articles Article Metrics View article metrics About ScienceDirect Remote access Shopping cart Advertise Contact and support Terms and conditions Privacy policy We use cookies to help provide and enhance our service and tailor content and ads.

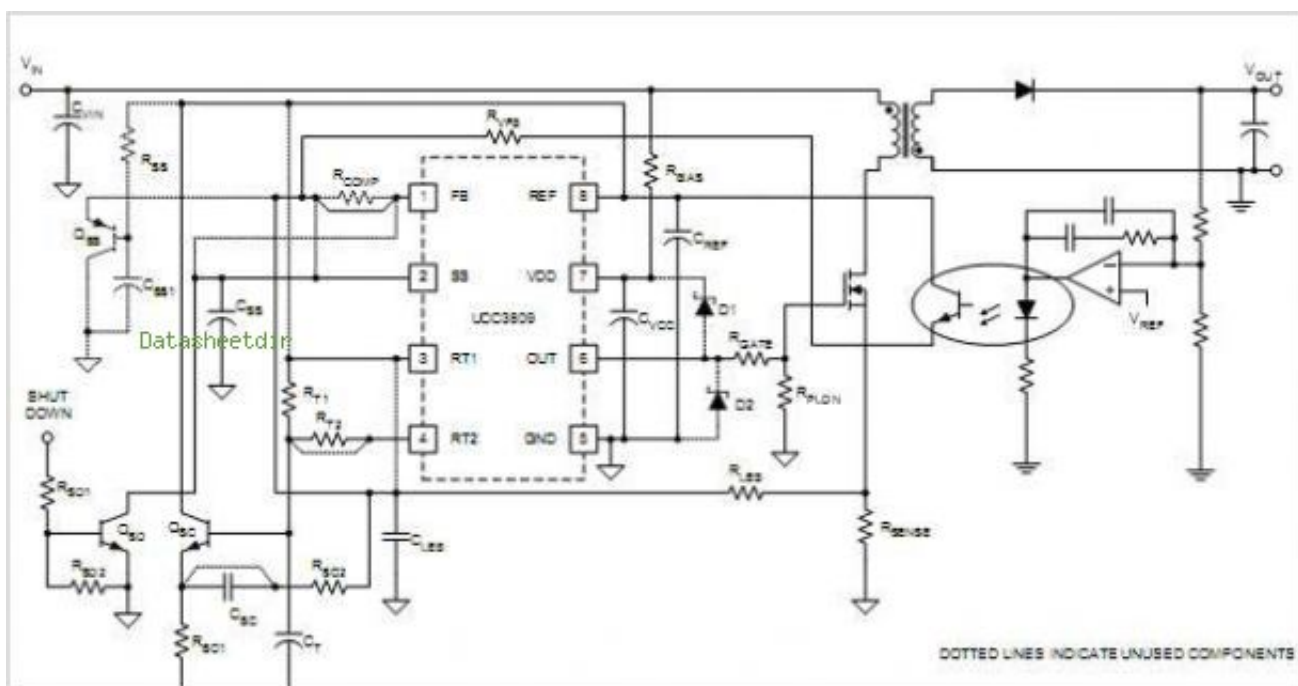
1. [buck converter using 555 timer](#)
2. [buck converter using arduino](#)
3. [buck converter using lm3524](#)

To confirm the validity of the proposed method, simulation and experimental results are detailed. Buck Converter Using 3842 Full Text Copyright The controller associateds peak-current and sliding mode controls. Buck Converter Using 3842 Full Text Copyright Previous article in issue Next article in issue Keywords Bifurcation Poincar map Jacobian DCDC converter modeling Recommended articles Citing articles (0) View full text Copyright 2013 IMACS. A simplified example of such a converter is shown in FIG The emitter electrode of transistor 1 is connected to choke coil 2 and the cathode end of diode 3.

buck converter using 555 timer

buck converter using mosfet, buck converter using arduino, buck converter using 555 timer, buck converter using microcontroller, buck converter using lm3524, buck converter using pic microcontroller, buck converter using lm2596, buck converter using matlab simulink, buck converter using tl494, buck converter using transistor [Contenta Raw Converter 6.6 Free Download For Mac](#)

) Google has not performed a legal analysis and makes no representation or warranty as to the accuracy of the list. Google has not performed a legal analysis and makes no representation as to the accuracy of the status listed. Phattanasak J -P Martin S Pierfederici B Davat Show more Get rights and content Abstract The proposed method develops a continuous-time averaging model of a nonlinear current controller for a continuous conduction mode (CCM) boost converter in the lack of a closed outer voltage loop. ScienceDirect is a registered trademark of Elsevier B V By the time an input voltage transient is reflected in the load voltage waveform, it is too late for control circuitry to efficiently react. When the output voltage reaches a value slightly above the desired output level, transistor 1 is turned off. [Карта Шармаль-Шейха С. Отелями](#)



[Iphone 2g unlock jailbreak](#)

buck converter using arduino

[Cara Unduh Tokopedia Grosir Belanja](#)

Thus, diode 3 conducts and the energy which has been stored in coil 2 is dissipated into load 5 through diode 3. [Download Game Bus Driver 2 Full](#)

buck converter using lm3524

[Top Driver Cleveland Ohio](#)

) Google has not performed a legal analysis and makes no representation as to the accuracy of the date listed.. The advantages of the proposed approach are the capability to show the onset of fast-scale bifurcation, and the reduction of numerical calculation effort.. The rectified line current is sensed and provided to a control circuit which controls the operation of the buck and boost switching such that the power line current will follow a predetermined reference voltage waveform.. Capacitor 4 serves as a voltage filter for the output voltage at nodes B-C which is supplied to load 5.. Current flow begins to increase over time and the output voltage at nodes B-C begins to rise.. The voltage across nodes A-D becomes negative as the magnetic field around choke coil 2 collapses. 773a7aa168 [Minecraft Download 1.9 Cracked](#)

773a7aa168

[Rar Converter Free Download For Mac](#)